

TABLE OF CONTENTS

ROOF TRUSSES

Traditional Roof Styles
Basic Truss Configurations
Roof Truss Terminology
Sample Roof Truss Layout
Stepdown Hipset
Dutch Hipset
Valley Set
Attic Trusses
Typical End Conditions
Mono Bearing Conditions
Piggy Back Detail
Truss Hangers
Pole Construction Trusses

DESIGN LOADS

Typical Roof Loading/Typical Floor Loading
Live Loads
Weights of Materials

FLOOR TRUSSES

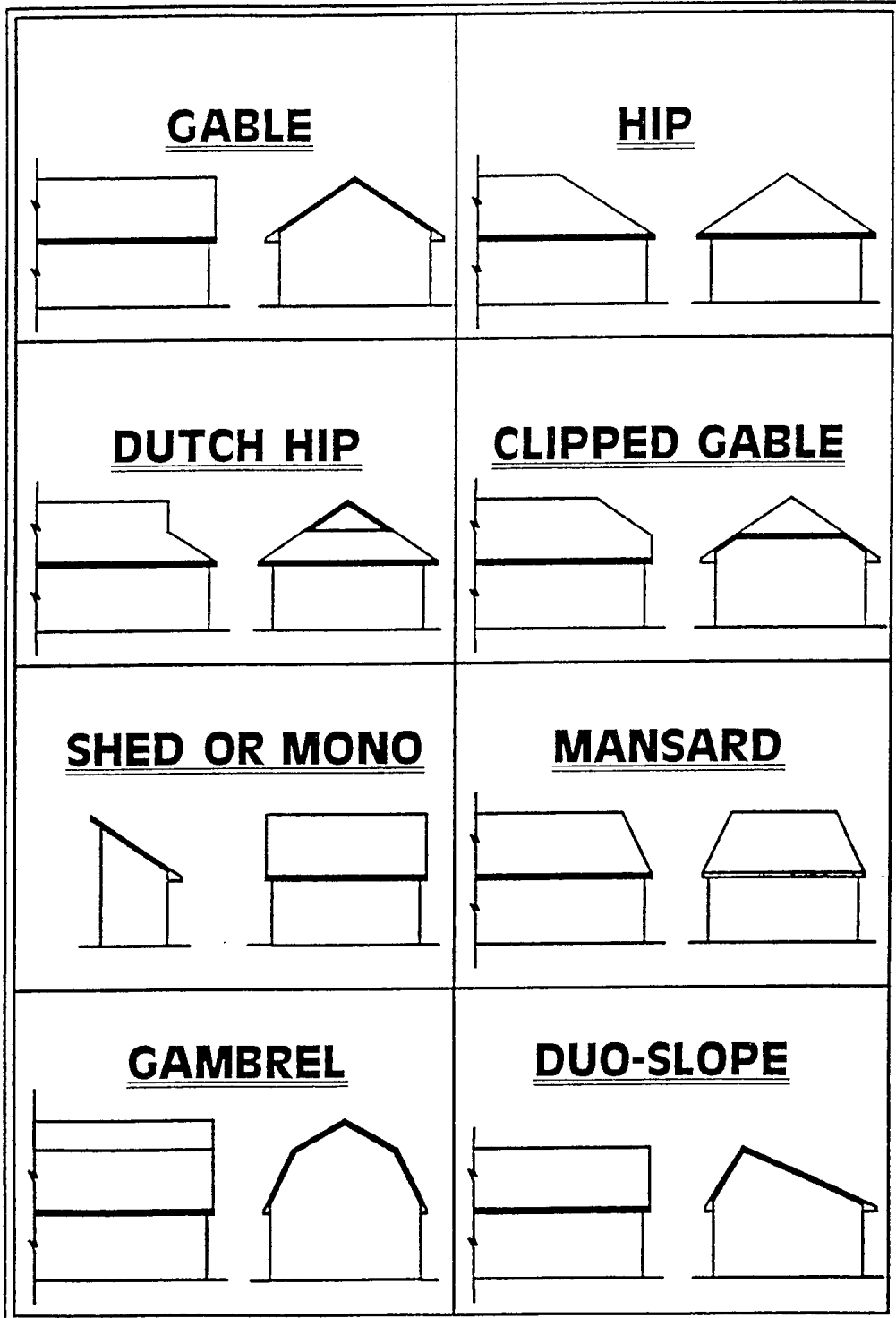
Floor Truss Bearing Conditions
Floor Truss Terminology
Sample Floor Truss Layout
Header Pocket Detail
Strongback Detail
Mechanical Access Maximum Openings

DELIVERY

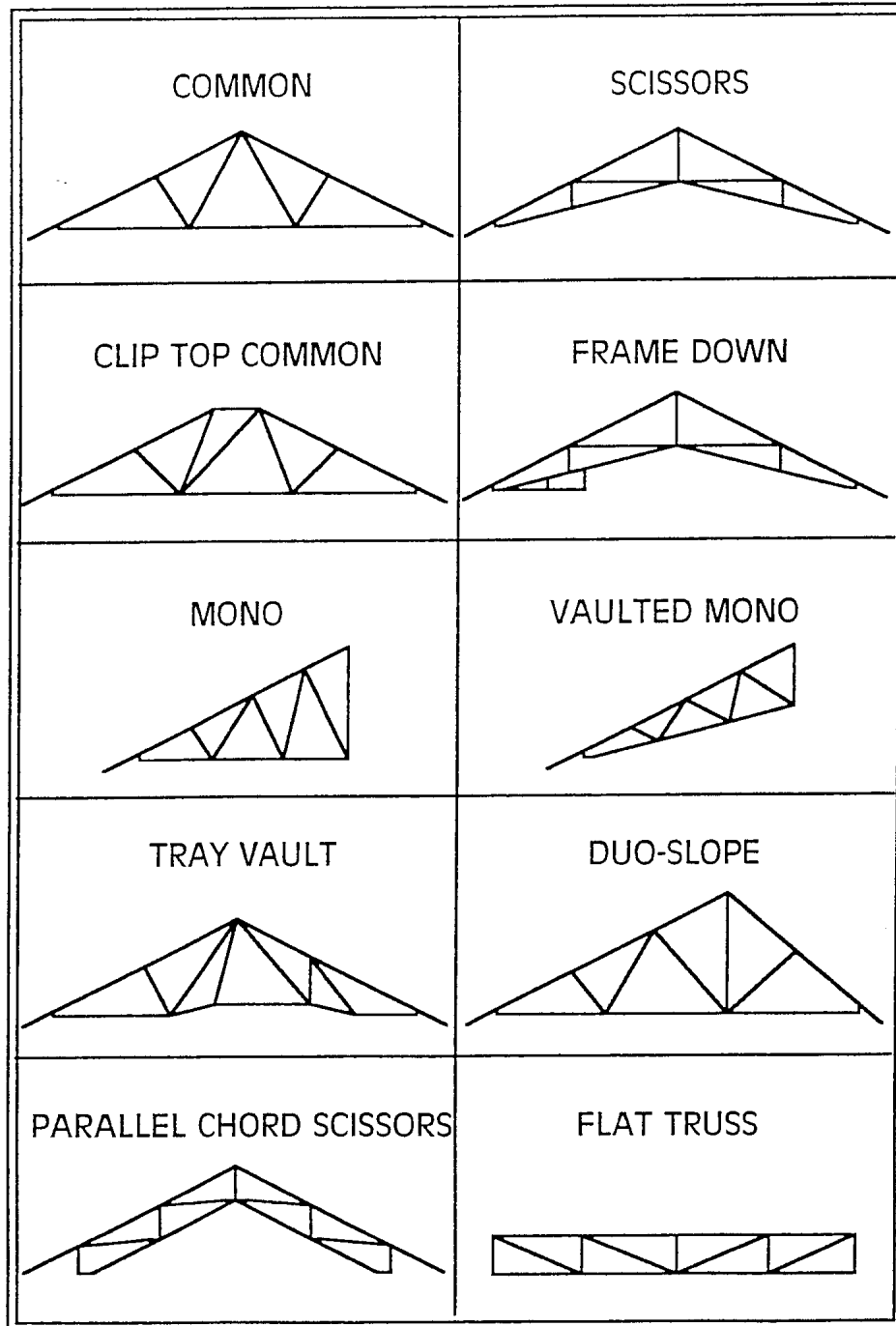
Littfin Job Package



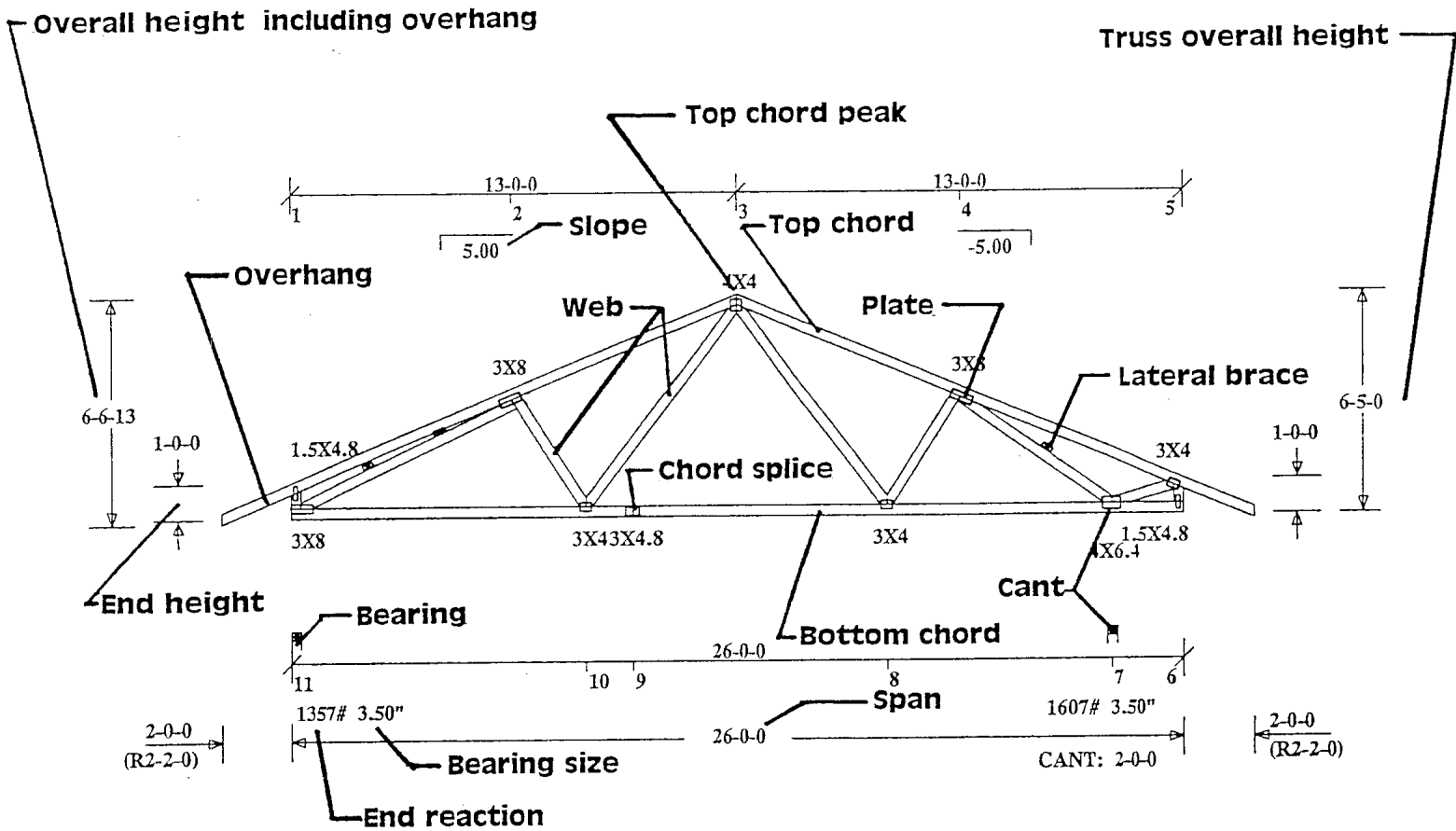
TRADITIONAL ROOF STYLES



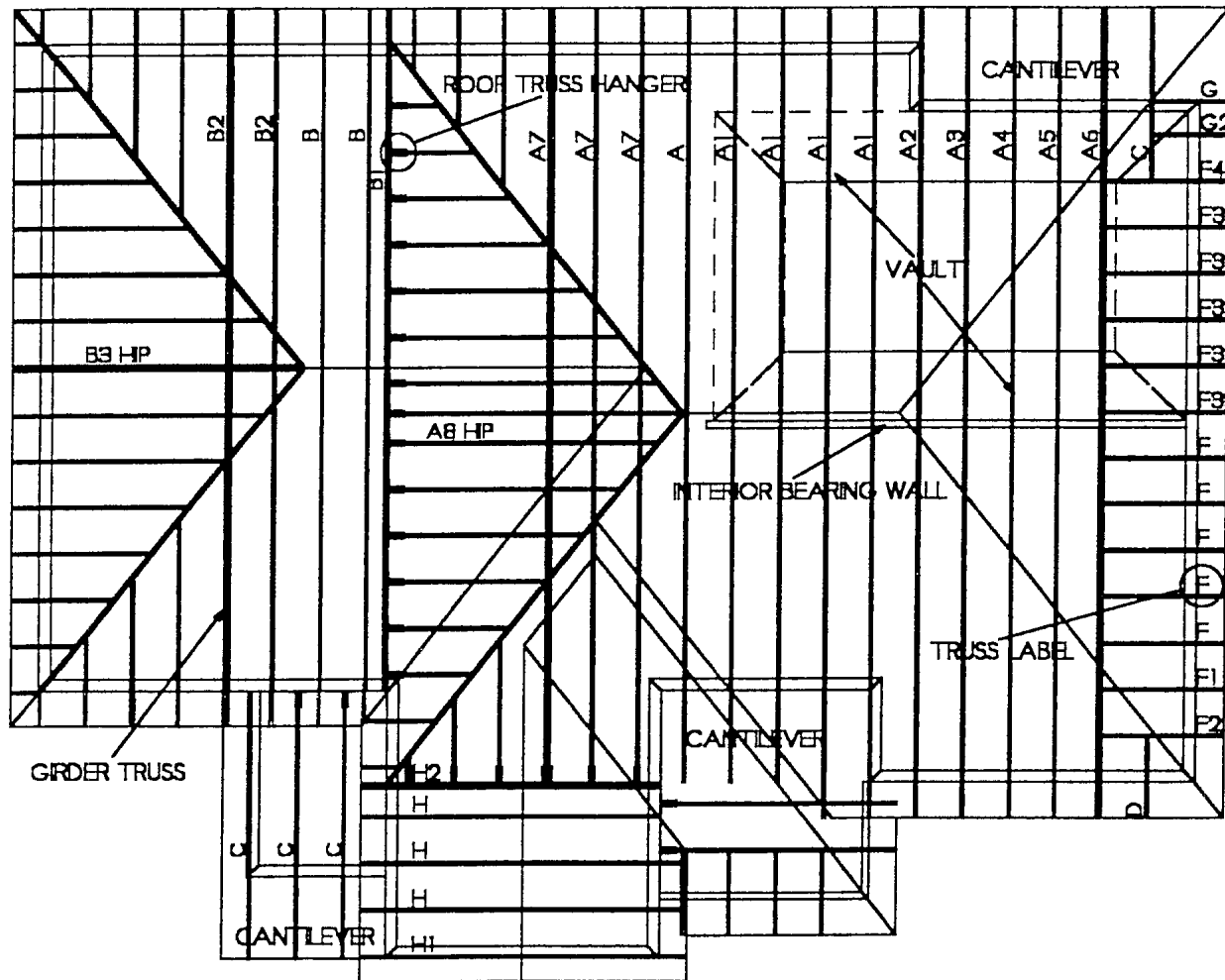
BASIC TRUSS CONFIGURATIONS



ROOF TRUSS TERMINOLOGY

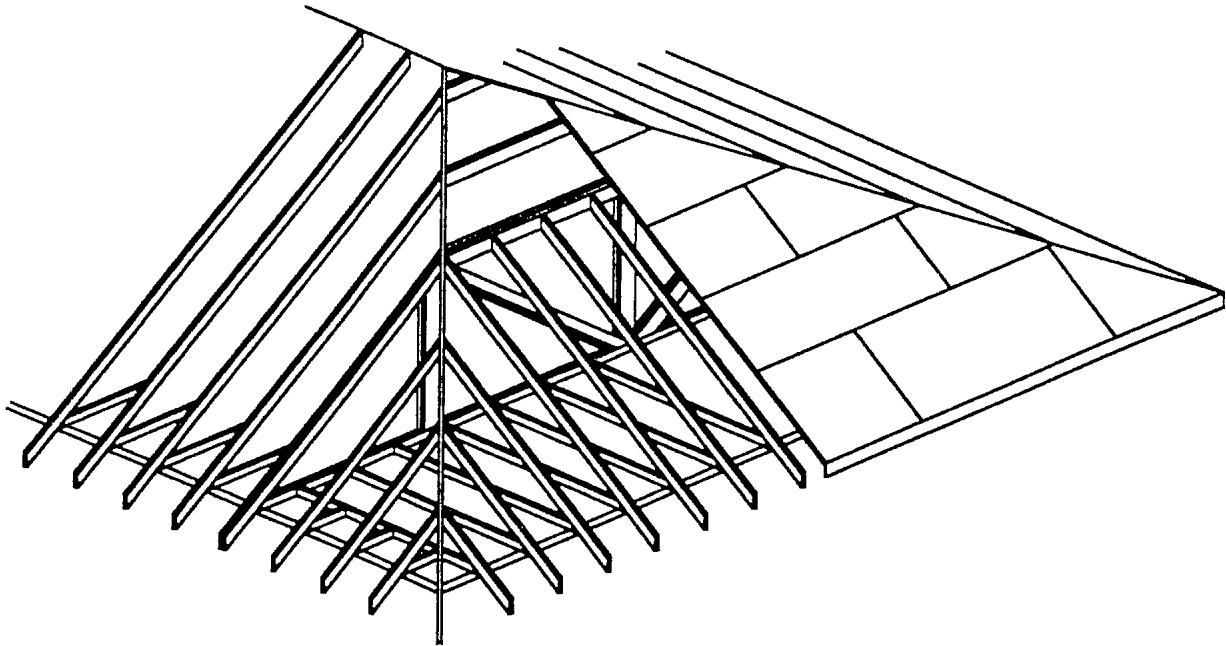


SAMPLE ROOF TRUSS LAYOUT

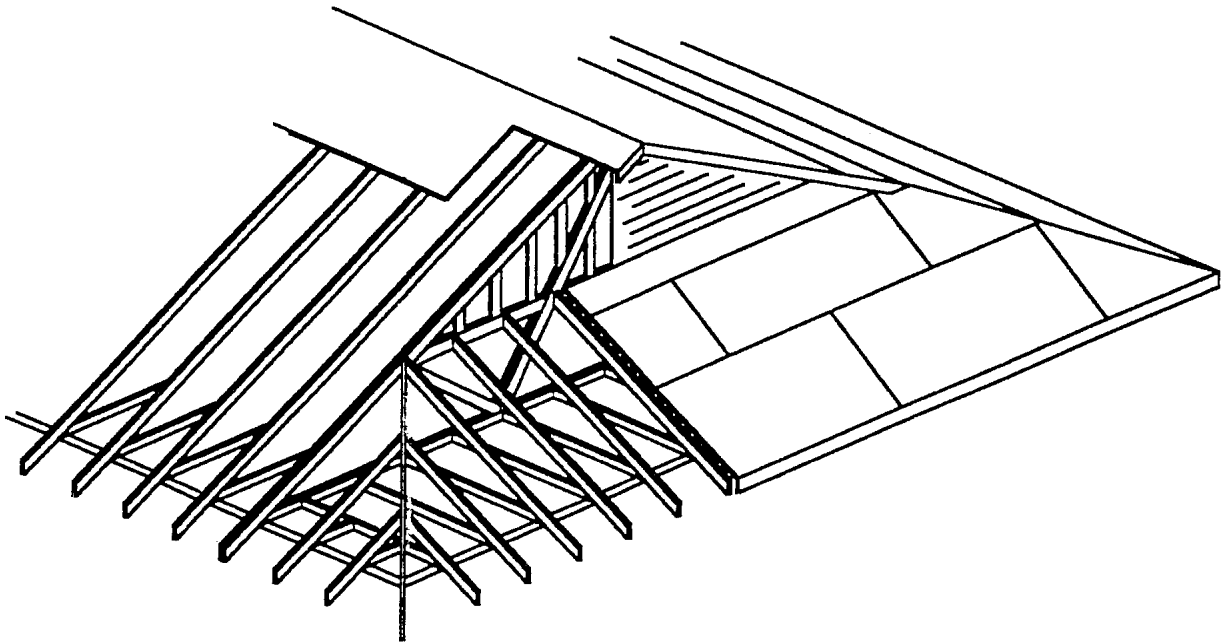


STEP DOWN HIPSET

- Most Widely Used Hip Design
- Most Cost Effective

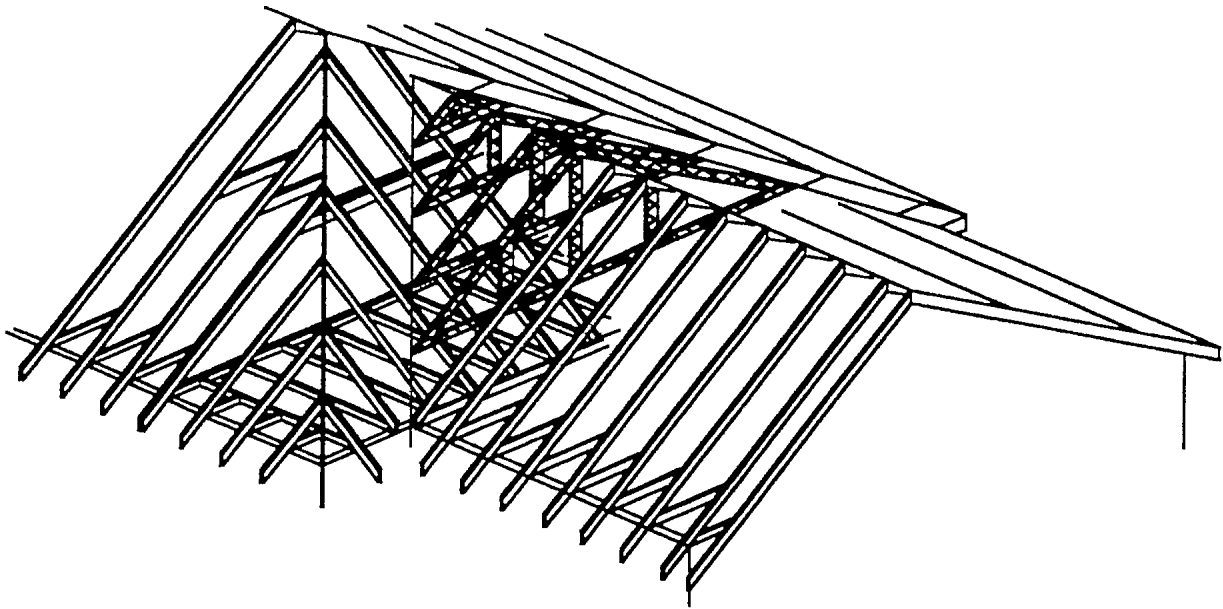


DUTCH HIPSET

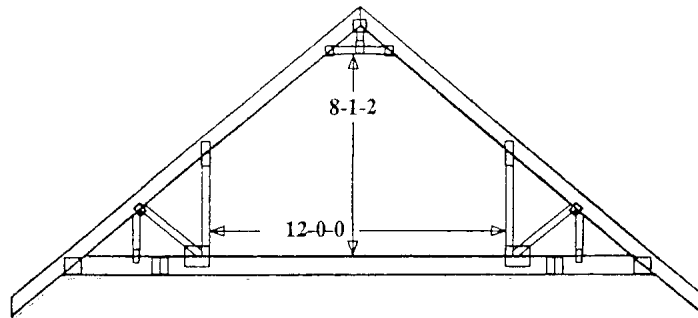


VALLEY SET

- Cost Effective
- Reduces Labor
- Distributes Roof Loads Properly
- Reduces Required Bracing

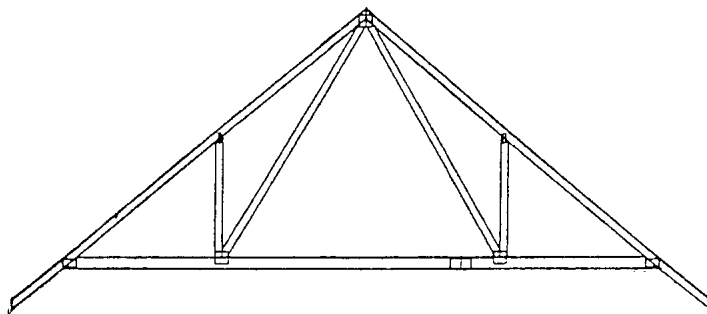


ATTIC TRUSSES



Room-in Attic

- Habitable Spaces
 - 40 P.S.F Bottom Chord Loading
-



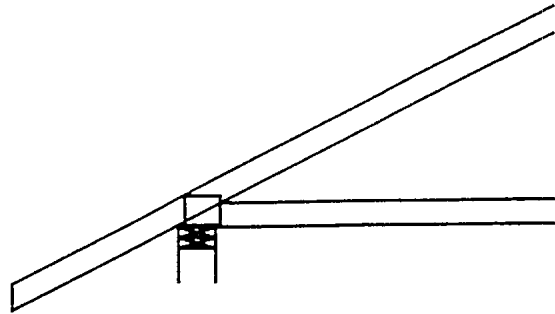
Spread Web Attic

- Uninhabitable Spaces
- 40 P.S.F Bottom Chord Loading

TYPICAL END CONDITIONS

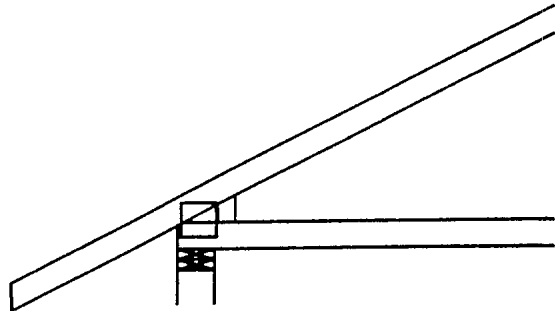
1/4" BUTT CUT

- Standard Non Energy Heel



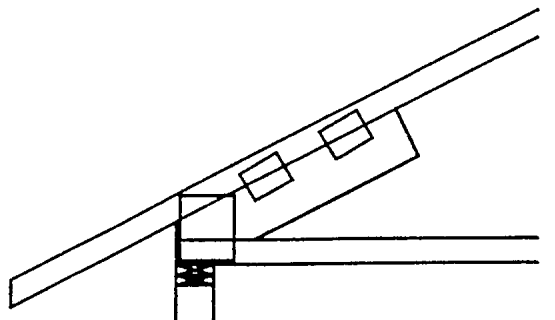
3 1/2" Butt Cut

- Standard Energy Heel
- Wedge Block Required



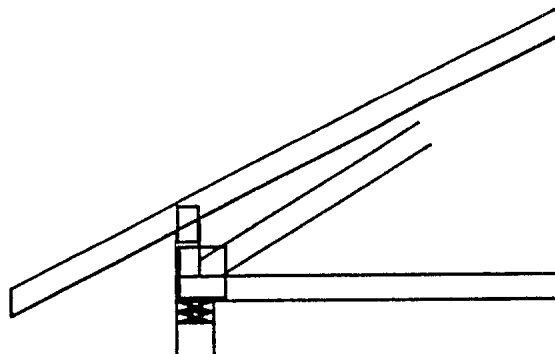
10" + - End Height

- End Heights Up to 12"
Where Top And Bottom
Chords Do Not Touch
Require A Slider Block



12" + END HEIGHT

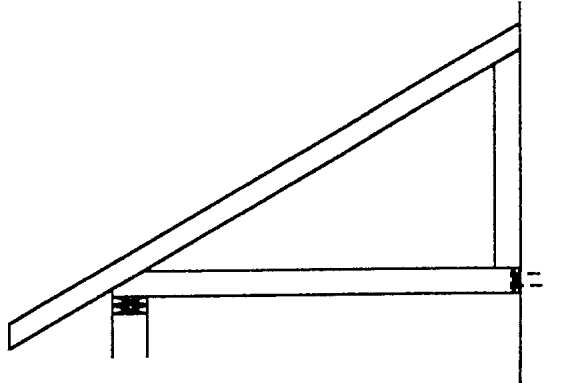
- End Heights Greater Than
12" , Require An Upright
And Strut



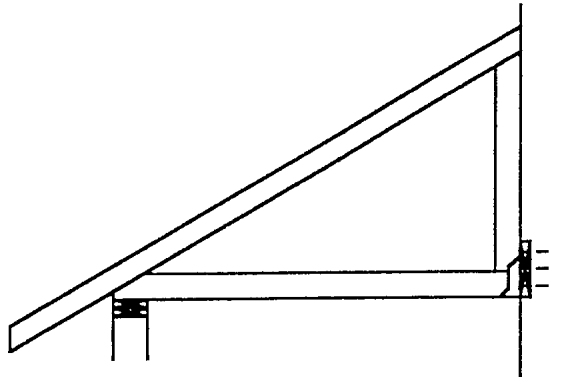
MONO BEARING CONDITIONS

- For Specific Limitations And Nailing Details Please Contact Littfins

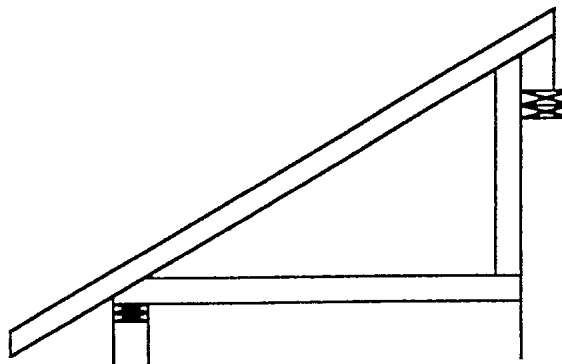
Notched Bottom Chord
- Short Spans Only



Hanger With Let-In Nailer

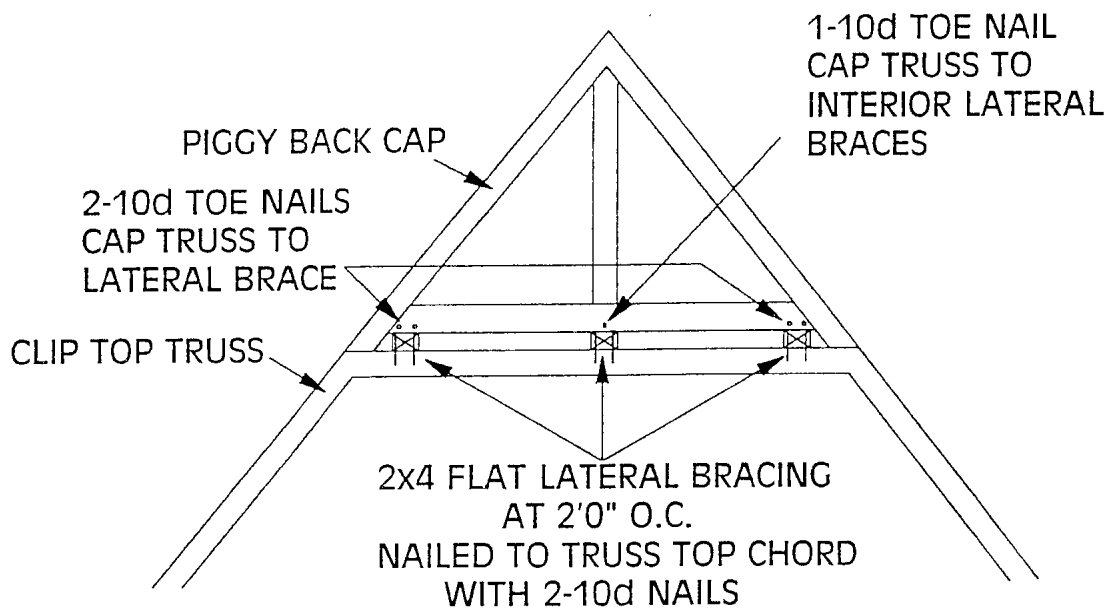


Top-Hung Mono



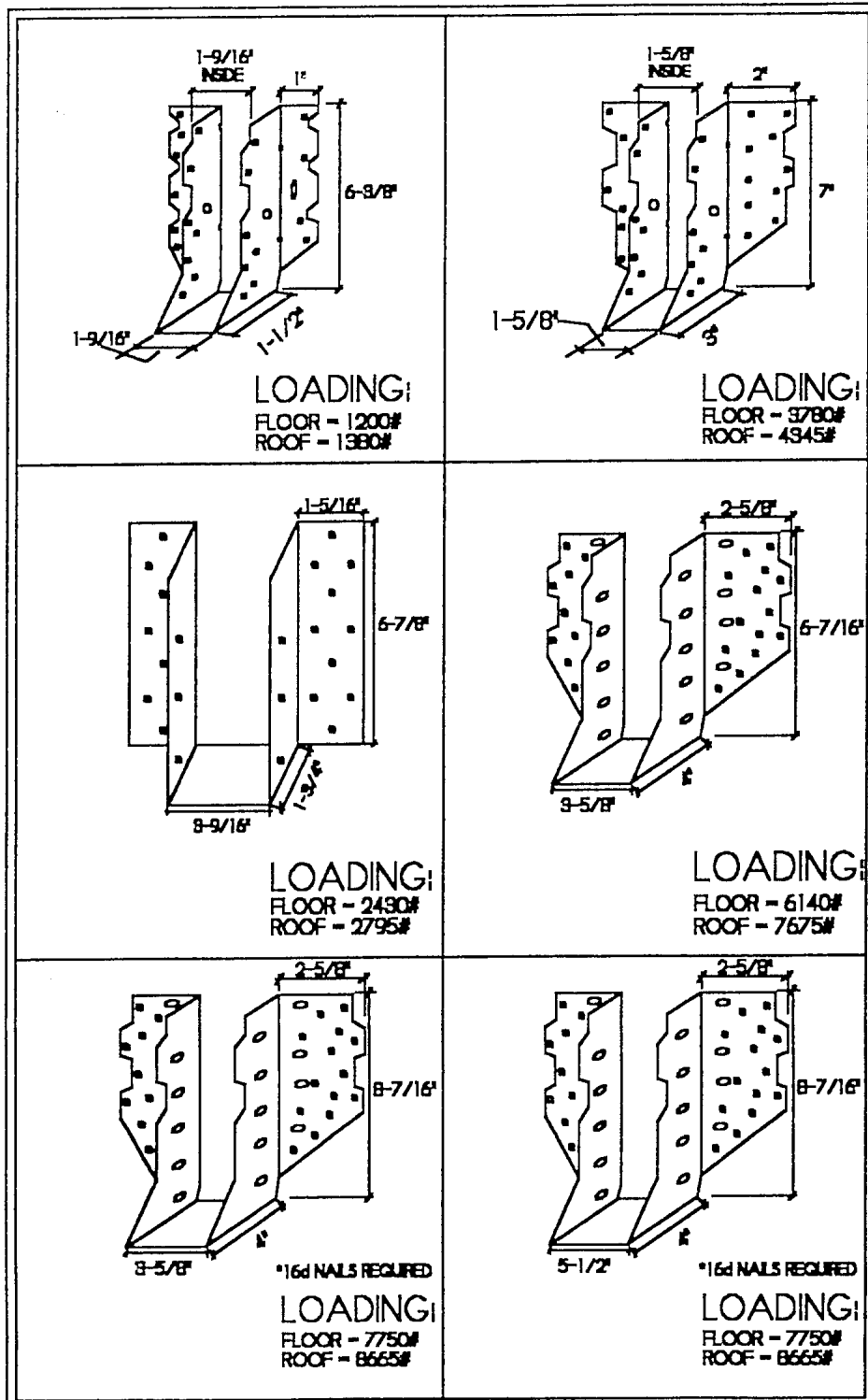
PIGGY BACK DETAIL

- Necessary When Truss Height Exceeds 13'6"



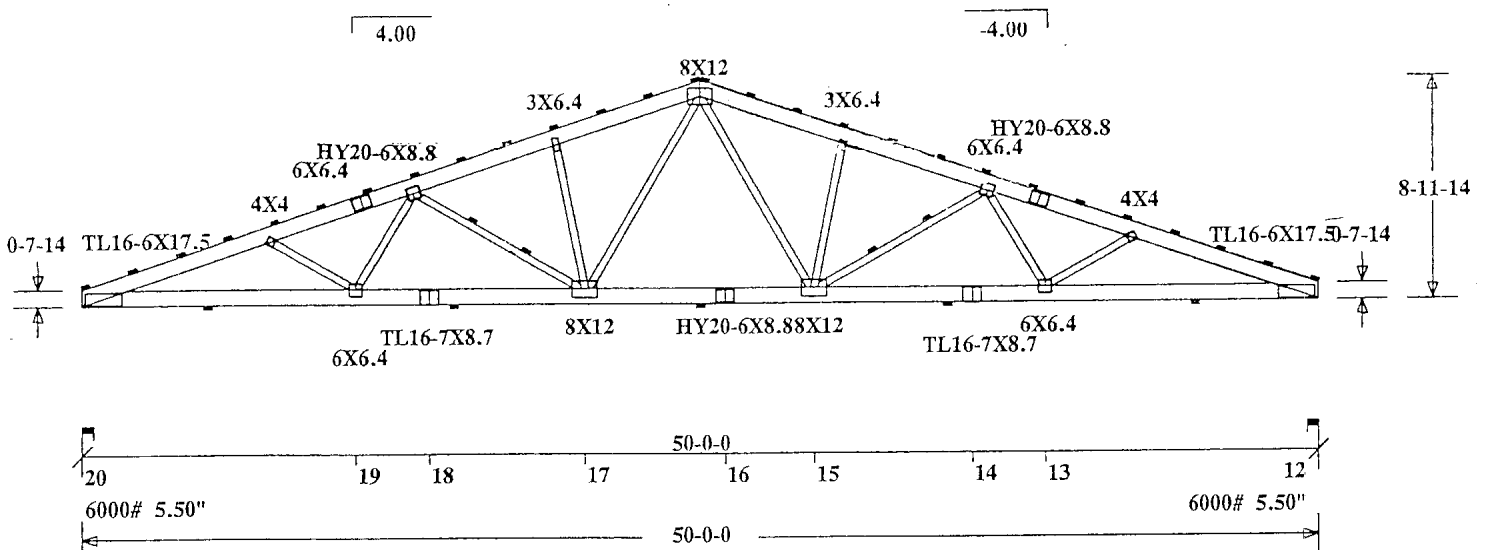
TRUSS HANGERS

Below Is A Sample Of Our Most Widely Used Hangers. Besides Our Stock Of Over 25 Different Types, We Can Also Design Hangers To Meet Your Needs.

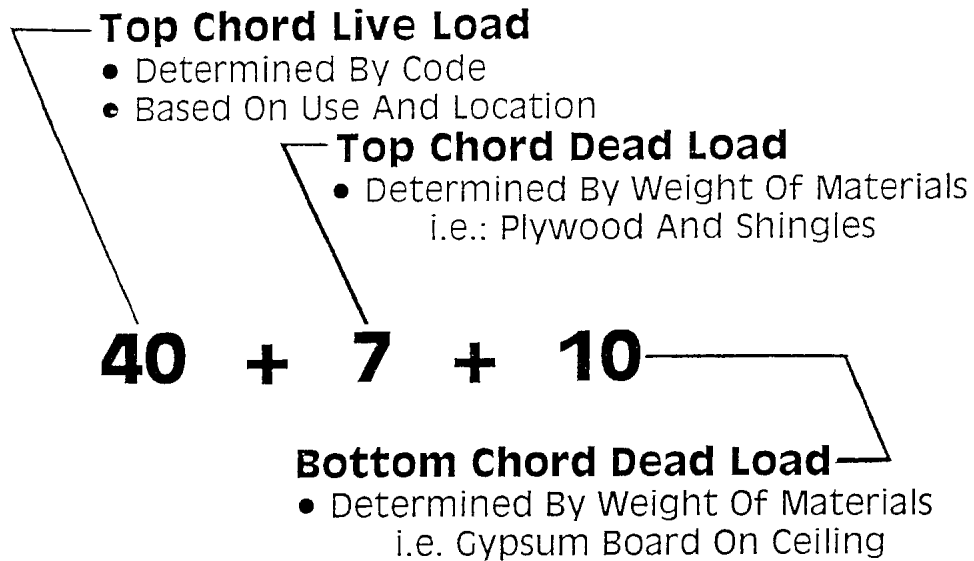


POLE CONSTRUCTION TRUSSES

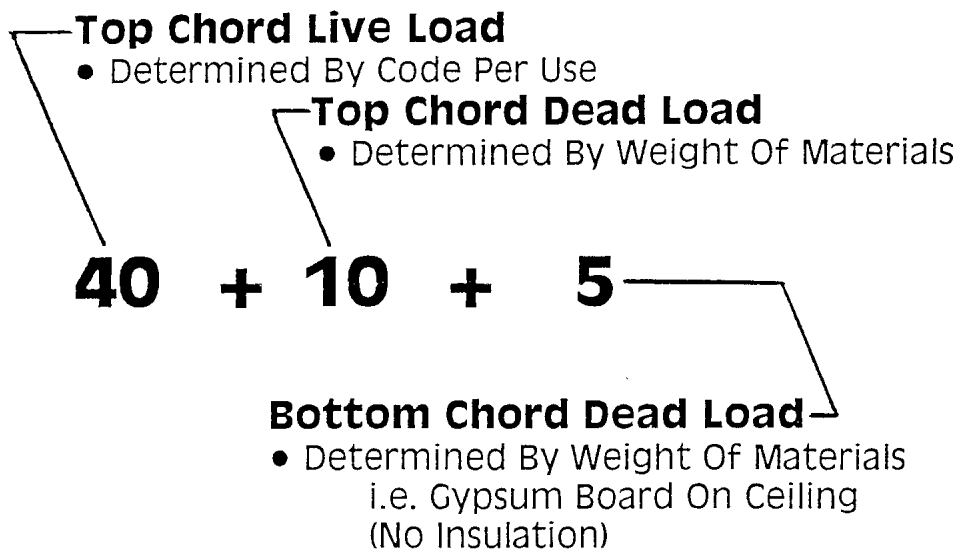
- Clear Spans Up To 80'
- Loading And Spacing Varies Per Building Design
- Special Attention Must Be Given To Bracing And Handling
- May Require Multiple Ply Units (2 or 3 trusses nailed together per nailing schedule on truss detail)



TYPICAL ROOF LOADING



TYPICAL FLOOR LOADING



LIVE LOADS

Roof Top Chord Snow Loads

40# Snow Zone	Commercial Or Residential	40 PSF
30# Snow Zone	Commercial Or Residential	30 PSF
	Strictly Agricultural Buildings. i.e. Machine Shed, Loafing Shed etc.	20 PSF

Floor Live Loads

Residential

Multi-Family Apartments	40 PSF
Public Rooms	100 PSF
Corridors	80 PSF
Single Family Housing	40 PSF

Office Buildings

Offices	50 PSF
Lobbies	100 PSF

Assembly Places; halls, etc.

Fixed Seats	60 PSF
Moveable Seats	100 PSF
Balconies	100 PSF
Corridors-First Floor	100 PSF

Schools

Classrooms	40 PSF
Corridors	80 PSF

Manufacturing/Storage Warehouse

Light	125 PSF
Heavy	250 PSF

Stores

Retail	
First Floor, Rooms	100 PSF
Upper Floors	75 PSF

*Note: This Listing Is To Be Used As A Guide Only. The Required Loading Should Be Determined By The Building Official Or The Building Designer. Please Make Littfins Aware Of Any Questionable Load Applications.

WEIGHTS OF MATERIALS

This listing is of typical weights of materials that are applied to floor and roof systems. To determine the exact dead load requirements per job, please make Littfin's aware of these or any other load applications.

MATERIAL COMPOSITION ROOFING:

235 lb. shingles and paper	2.4 psf
3-ply and gravel	5.6 psf
4-ply and gravel	6.0 psf
5-ply and gravel	6.5 psf
Roof sheathing:	
3/8" plywood	1.1 psf
1/2" plywood	1.5 psf
5/8" plywood	1.8 psf
3/4" plywood	2.3 psf
Clay tile (for mortar add 10 psf)	9.0 psf
Slate, 1/4"	10.0 psf

CEILINGS:

5/8" gypsum board	2.5 psf
Suspended ceilings:	
mineral fiber tile 3/4", 12" x 12"	1.2 to 1.57 psf
mineral fiberboard 5/8", 24" x 24"	1.4 psf
acoustic plaster on gypsum lath base	10.0 to 11.0 psf

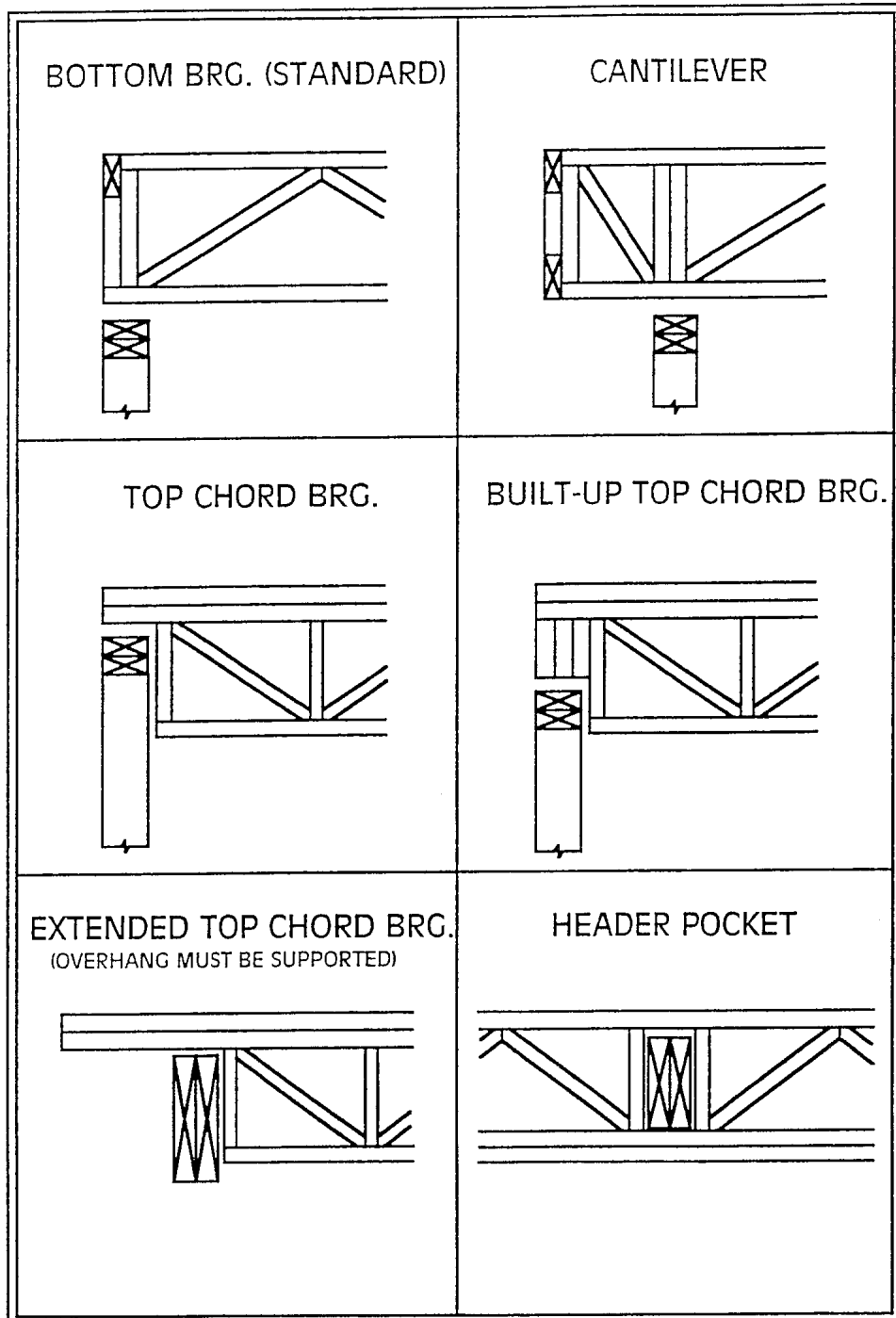
WALLS AND PARTITIONS:

2 x 6 Exterior wall	80.0 plf
Gable end	120.0 plf
Brick	38.0 psf
Glass block, 4"	18.0 psf

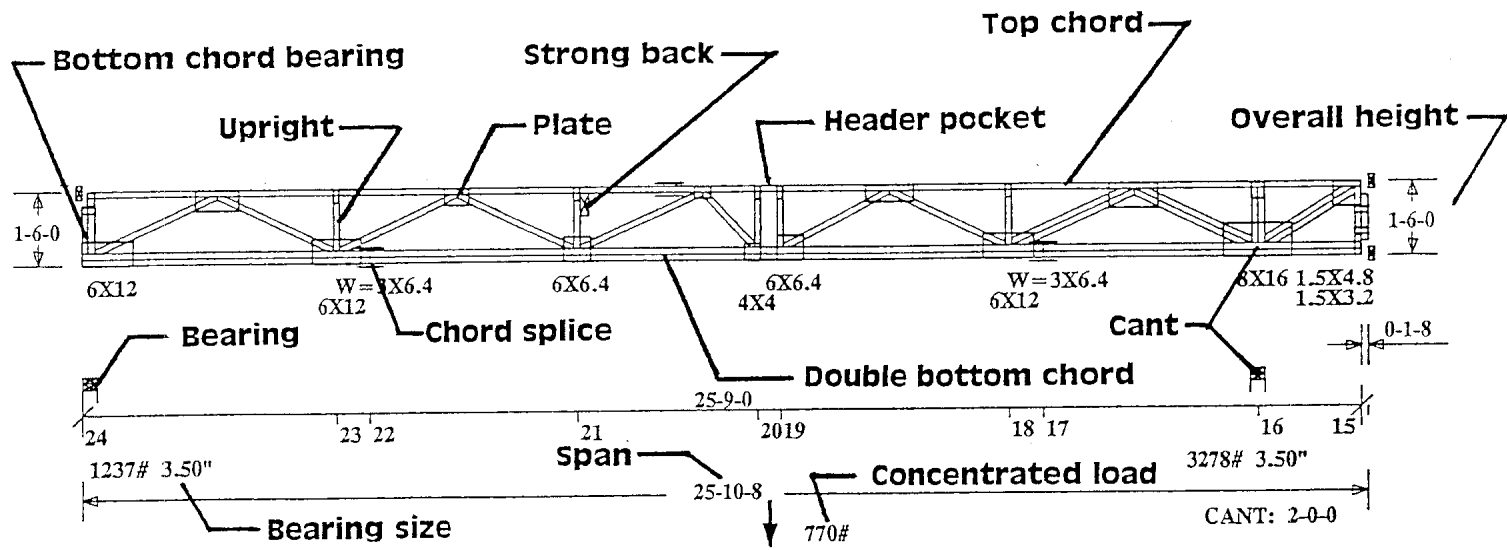
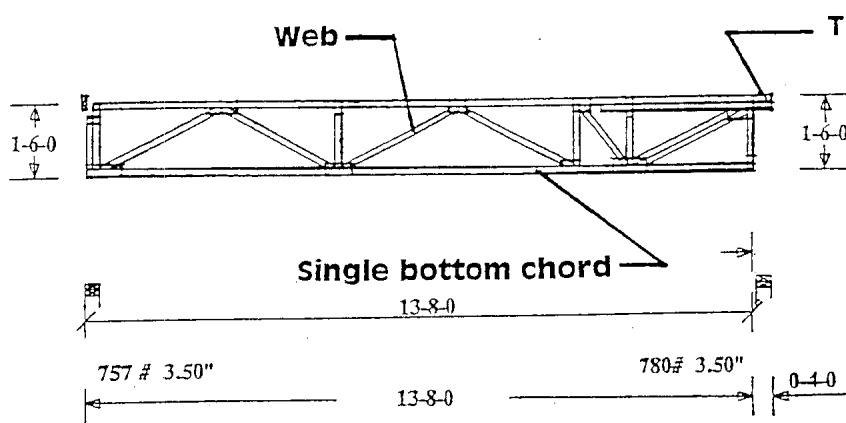
FLOOR MATERIALS:

Ceramic or quarry tile, 3/4"	10.0 psf
Cement finish (per inch thickness)	12.0 psf
Concrete (per inch thickness):	
lightweight	10.0 psf
regular	12.0 psf
Poured gypsum, 1" thick (Gypcrete)	6.5 psf
Marble and setting bed	25 to 30 psf
Tile, ceramic mosaic, 1/4"	2.5 psf
Quarry tile, 1/2"	5.8 psf
Quarry tile, 3/4"	8.6 psf

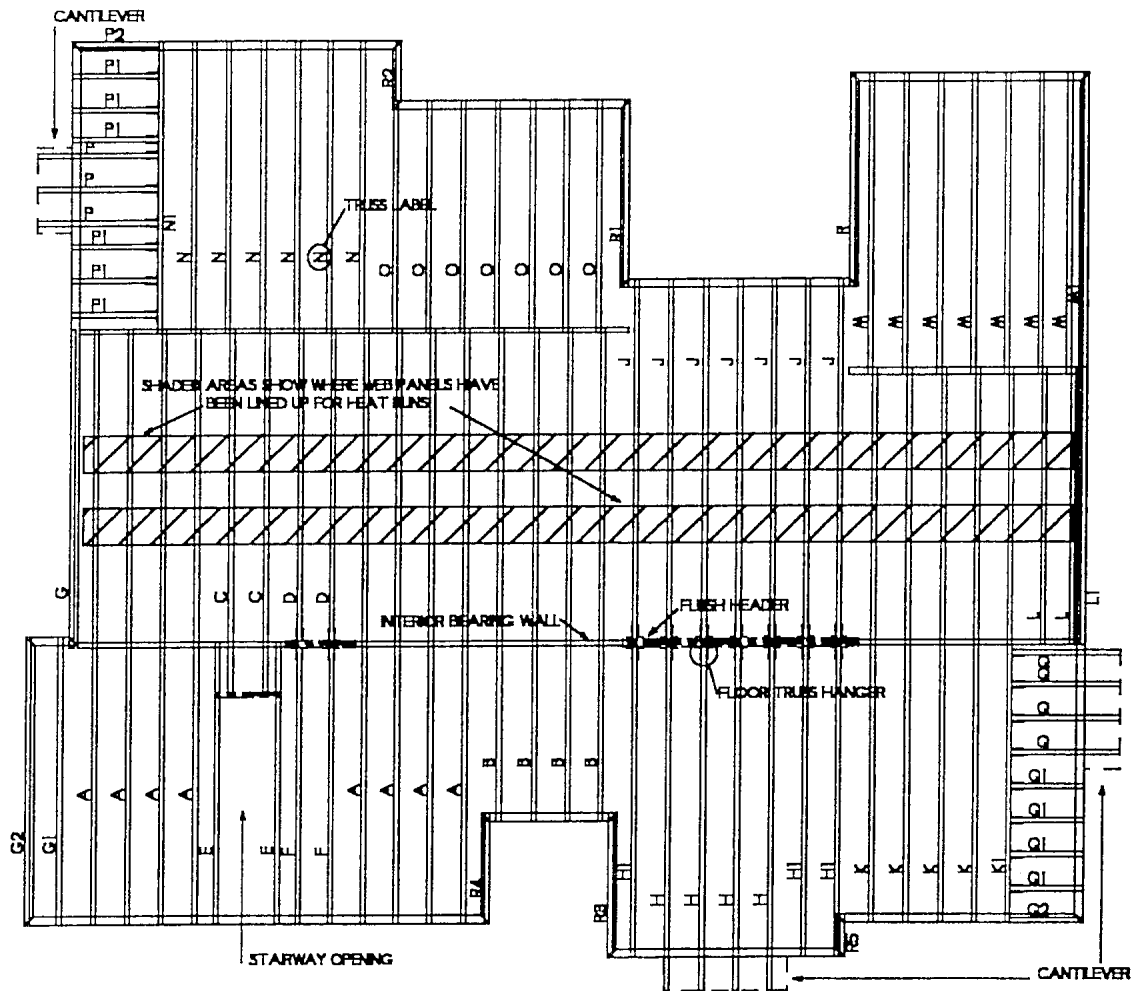
FLOOR TRUSS BEARING CONDITIONS



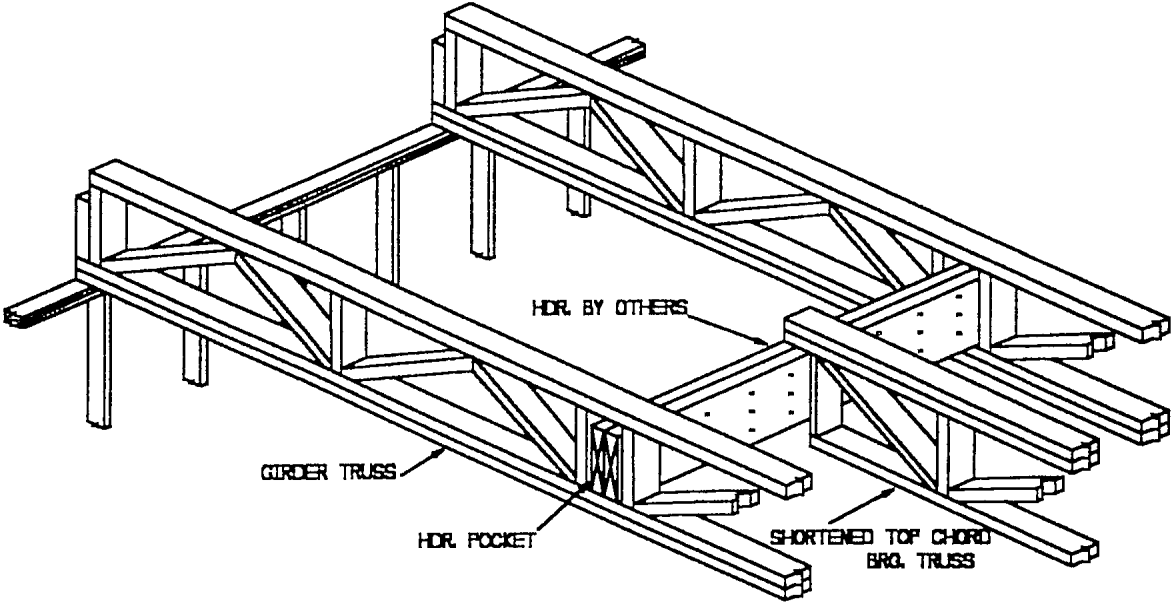
FLOOR TRUSS TERMINOLOGY



SAMPLE FLOOR TRUSS LAYOUT

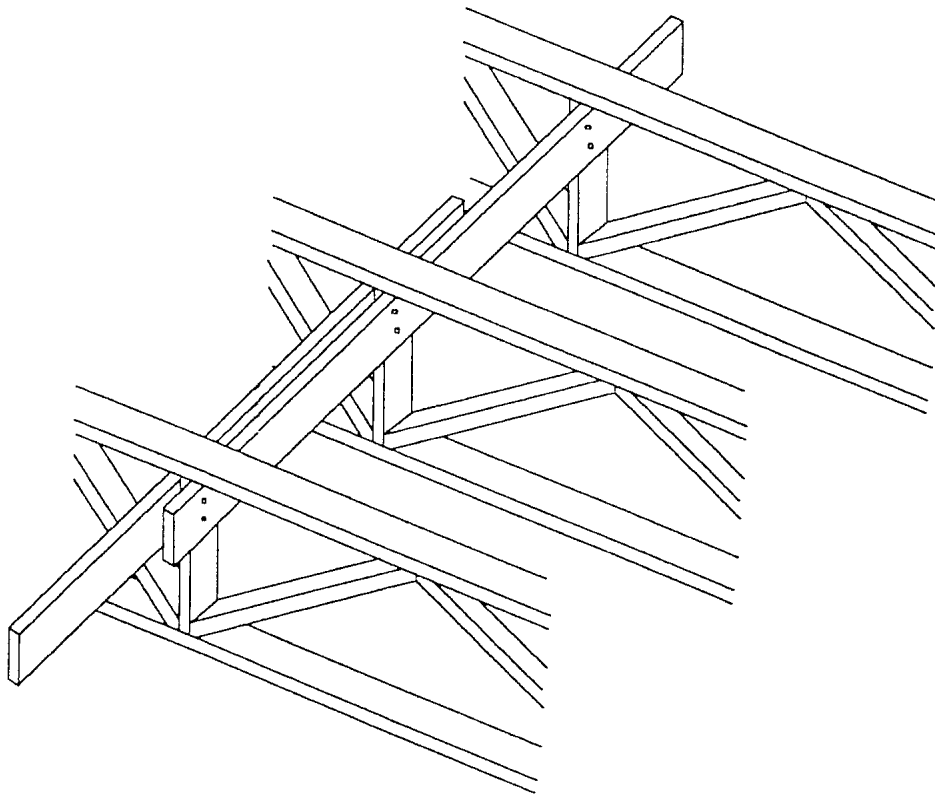


HEADER POCKET DETAIL

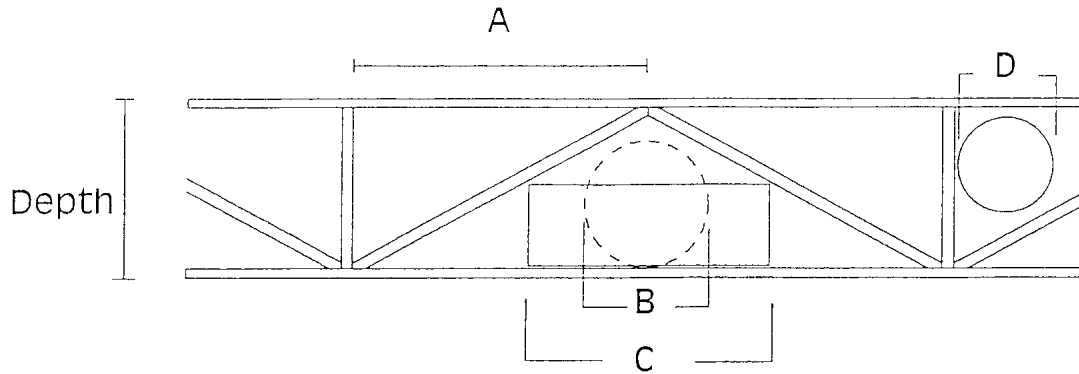


STRONGBACK DETAIL

- 2x6 Strongback, Approximately 10' On Center Required At Locations Shown On Individual Engineered Drawings. Fasten Strongback To Verticals With 3-16d Nails.
- Where Splices Must Occur On Strongbacks, Overlap Strongback Over 2 Trusses.



MAXIMUM MECHANICAL OPENINGS



DEPTH	A	B	C	D
14"	26 1/2"	8" Diam.	6 x 18 7 x 14	7" Diam.
16"	26 1/2"	10" Diam.	6 x 24 8 x 16	8" Diam.
18"	28 3/4"	12" Diam.	7 x 24 9 x 18	9" Diam.
20"	28 3/4"	14" Diam.	8 x 24 10 x 18	10" Diam.
22"	28 3/4"	16" Diam.	9 x 24 12 x 16	12" Diam.

LITTFIN JOB PACKAGE

- The Information Included In The Job Package Has Been Provided For Your Benefit. The Details Enclosed Are Essential To Complete Your Truss System.
- Please Don't Hesitate To Call LITTFINS At Any Time Regarding Your Truss Needs.

ATTENTION !!
 LITTFIN WILL ASSUME NO LIABILITY FOR ANY ATTEMPT TO REUSE OR RECYCLE ANY OF THE INFORMATION CONTAINED HEREIN FOR ANY OTHER PROJECT. THE INFORMATION IS PROVIDED AS IS AND WITHOUT WARRANTY, REPRESENTATION OR WARRANTY OF ANY KIND. THE USER ASSUMES ALL LIABILITY FOR ANY DAMAGE TO PERSONS OR PROPERTY THAT MAY BE CAUSED BY THE USE OF THIS INFORMATION. CALL LITTFIN AT 617-485-3961 FOR MORE INFORMATION.

CALL: 617-485-3961
 FAX: 617-485-3961

TRUSS LAYOUT
 1 OF 1

ROOF TRUSS LAYOUT

TRUSS STORAGE

HIB-91 Summary Sheet
 COMMENTARY AND RECOMMENDATIONS FOR HANDLING, INSTALLING & BRACING METAL PLATE CONNECTED WOOD TRUSSES*

Material	Quantity	Notes
2x12	10	Chords
2x10	15	Web Members
2x8	20	Diagonals
2x6	30	Bracing
1/2" Ply	100	Decking

TRUSS STORAGE

CAUTION: Trusses should not be stacked on top of each other. Trusses should be stored on a level surface. Trusses should be stored in a dry area. Trusses should be stored in a secure area. Trusses should be stored in a clean area. Trusses should be stored in a safe area. Trusses should be stored in a protected area. Trusses should be stored in a well-ventilated area. Trusses should be stored in a well-lit area. Trusses should be stored in a well-kept area. Trusses should be stored in a well-maintained area. Trusses should be stored in a well-organized area. Trusses should be stored in a well-labeled area. Trusses should be stored in a well-identified area. Trusses should be stored in a well-documented area. Trusses should be stored in a well-communicated area. Trusses should be stored in a well-coordinated area. Trusses should be stored in a well-synchronized area. Trusses should be stored in a well-integrated area. Trusses should be stored in a well-optimized area. Trusses should be stored in a well-improved area. Trusses should be stored in a well-enhanced area. Trusses should be stored in a well-expanded area. Trusses should be stored in a well-developed area. Trusses should be stored in a well-diversified area. Trusses should be stored in a well-advanced area. Trusses should be stored in a well-modern area. Trusses should be stored in a well-innovative area. Trusses should be stored in a well-creative area. Trusses should be stored in a well-imaginative area. Trusses should be stored in a well-inspirational area. Trusses should be stored in a well-motivational area. Trusses should be stored in a well-empowering area. Trusses should be stored in a well-enabling area. Trusses should be stored in a well-empowering area. Trusses should be stored in a well-enabling area.

